

MOUNTING FRAME for

Prod.nr. 60 00003 00

CARRY-ALL BOX 100 & -150



Thule nv - Kortrijkstraat 343 - BE 8930 Meneer

TB 904-02

8-07-03

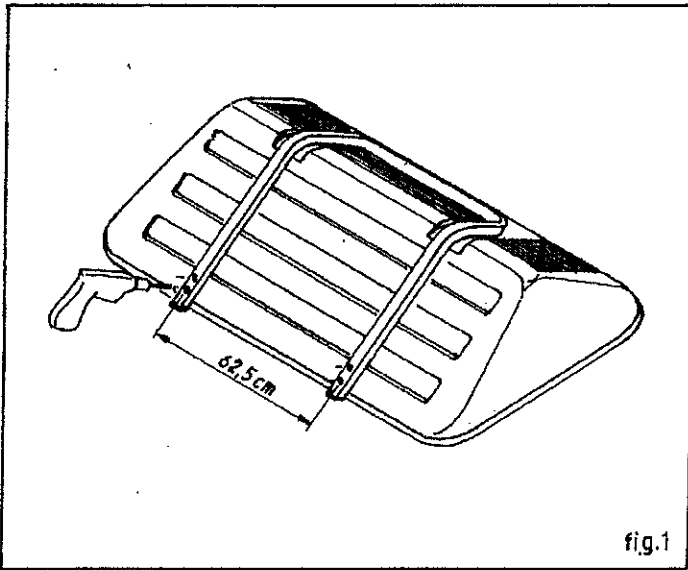


fig.1

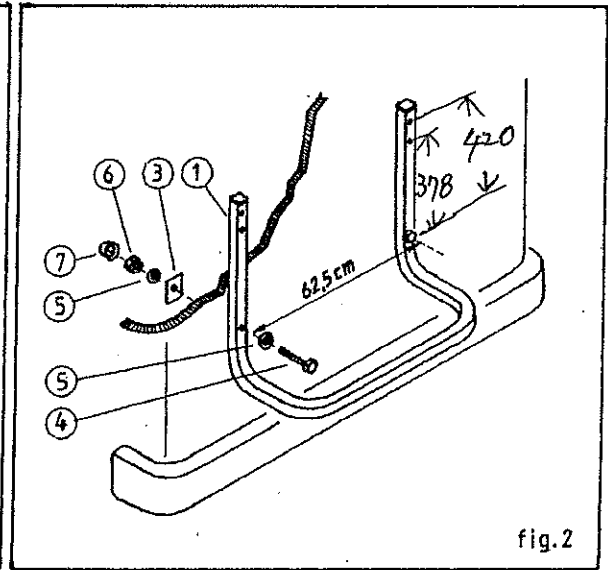


fig.2

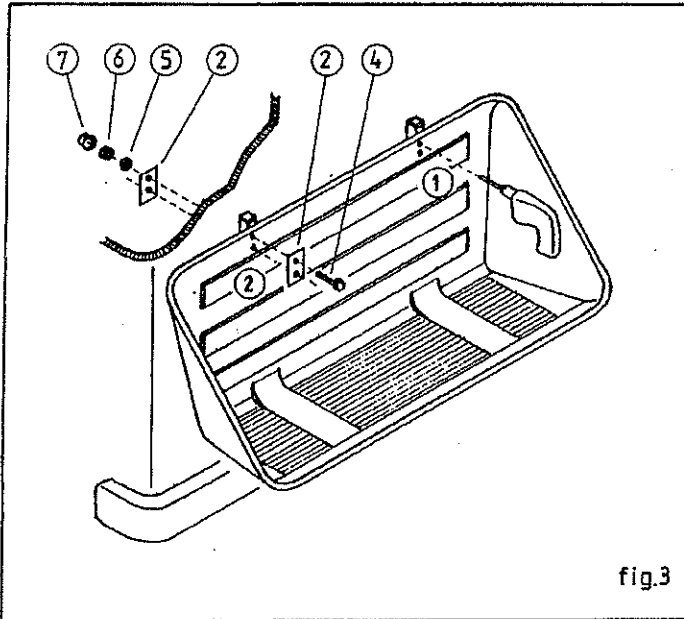


fig.3

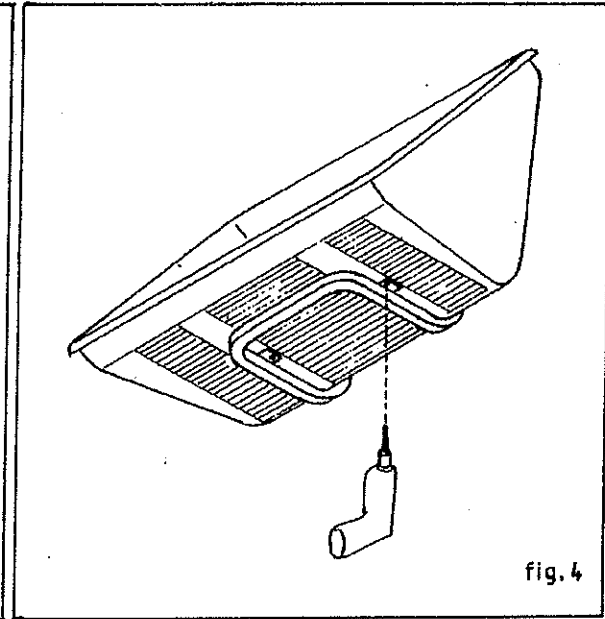


fig.4

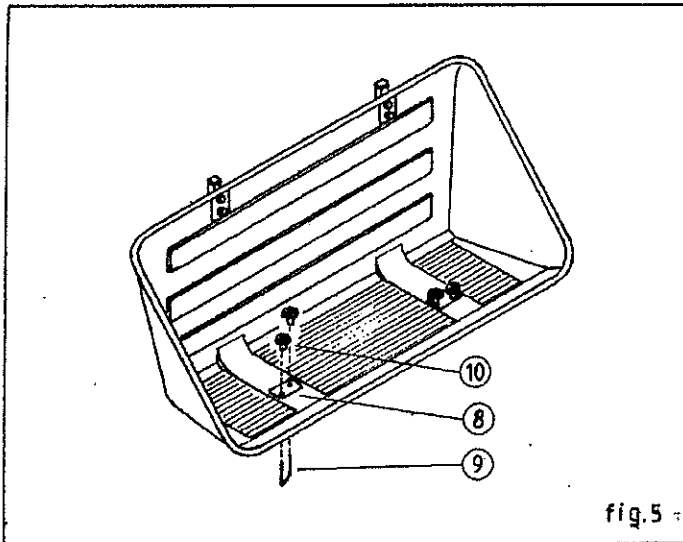


fig.5

CONTENT FIXATION KIT

REF	DESCRIPTION	QTY
1.	FRAME	1
2.	OPPOSITE PLATE 2 HOLES	4
3.	OPPOSITE PLATE 1 HOLE	2
4.	BOLT DIN931 M6x70	6
5.	WASHER DIN125 M6	8
6.	NUT DIN985 M6	10
7.	NUTCAP M6	6
8.	COUNTER PLATE TOP BOX	2
9.	U-BOLT M6	2
10.	NUTKNOB M6	4